

Fiber Splitter Panel

The Fiber Splitter Panel uses advanced PLC (Planar Lightwave Circuit) technology to enable multiple fiber connections with stable optical performance. This method uses splitter devices fabricated with silica optical waveguide elements which results in low insertion loss, high uniformity, and low polarization dependent loss. The Fiber Splitter Panel is a 19" rack mount unit with SC or LC ports in either UPC or APC versions. It is available in various port configurations ranging from 8 to 32 output ports.

The Fiber Splitter Panel is ideal for Passive Optical LAN 's and other singlemode applications requiring high performance splitting of optical signals. Siemon offers a complete range of fiber cables and connectivity, including preterminated MTP solutions, to complete an entire passive optical channel.

APPLICATIONS

- Passive Optical LAN (POL) systems
- PON / FTTH Networks
- CATV
- DWDM and CWDM systems



- **1X Splitters:**
Traditional splitters with a single input and multiple outputs

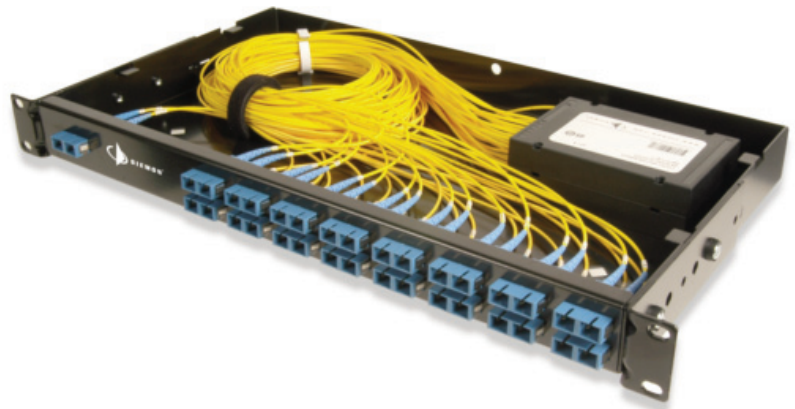
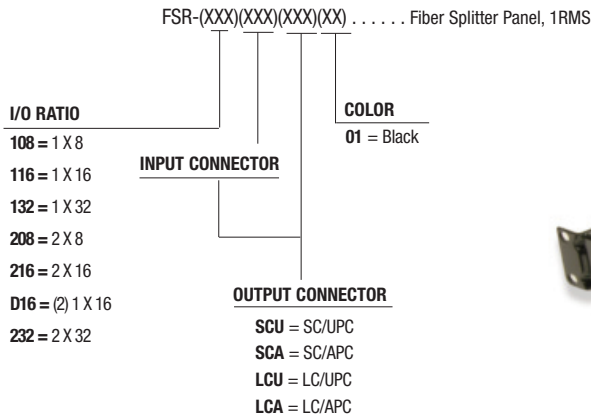
- **Dual Splitters**
Packages two 1X splitters in a single enclosure. There are two inputs for these splitters and each input reaching different output ports. There is no connection between the two splitters.

- **2X Splitters**
These splitters provide two inputs and multiple outputs but, unlike a dual splitter, both inputs reach all outputs provided that both inputs are not transmitting at the same time. These splitters allow redundancy by having two inputs feed all available outputs.

PRODUCT INFORMATION

Ordering Information:

Fiber Splitter Panel



Specifications:

Parameter	1x8	2x8	1x16	2x16	1x32	2x32
Splitter Technology	Planar Lightwave Circuit (PLC)					
Fiber Type	Singlemode					
Operating Wavelength (nm)	1260-1650					
Insertion loss (dB) max	11.2	12.0	14.2	15.0	17.5	17.8
Polarization Dependent Loss (dB)	0.3	0.4	0.3	0.4	0.3	0.4
Splitter Uniformity (dB) max	1.0	1.7	1.2	2.0	1.5	2.1
Wavelength dependent Loss (dB)	0.4	1.0	0.5	1.0	1.0	1.0
Directivity (dB) min	>55					
Splitter Return Loss (dB) APC Min	>55					
Splitter Return Loss (dB) UPC Min	>50					
Fiber Cable	2mm LSOH ITU G652D					
Connector Types	SC/APC, SC/UPC, LC/APC, or LC/UPC					
Storage Temp. (°C)	-40 to +85					
Operation Temp. (°C)	-40 to +85					
Operation/Storage Humidity (%RH)	5 to 95					
Mounting	19 inch (482.6mm) rack CEA-310-E					
Material	Enclosure: 0.060" Aluminum. Flanges: 12 Gage CRS					
Color	Black with E-Coat Finish					
Compliance	GR-1209/GR-1221 qualified splitter. GR-326 certified connectors					

North America
 Watertown, CT USA
 Phone (1) 860 945 4200 US
 Phone (1) 888 425 6165 Canada

Europe/Middle East/Africa
 Surrey, England
 Phone (44) 0 1932 571771

Asia/Pacific
 Shanghai, P.R. China
 Phone (86) 21 5385 0303

Latin America
 Bogota, Colombia
 Phone (571) 657 1950